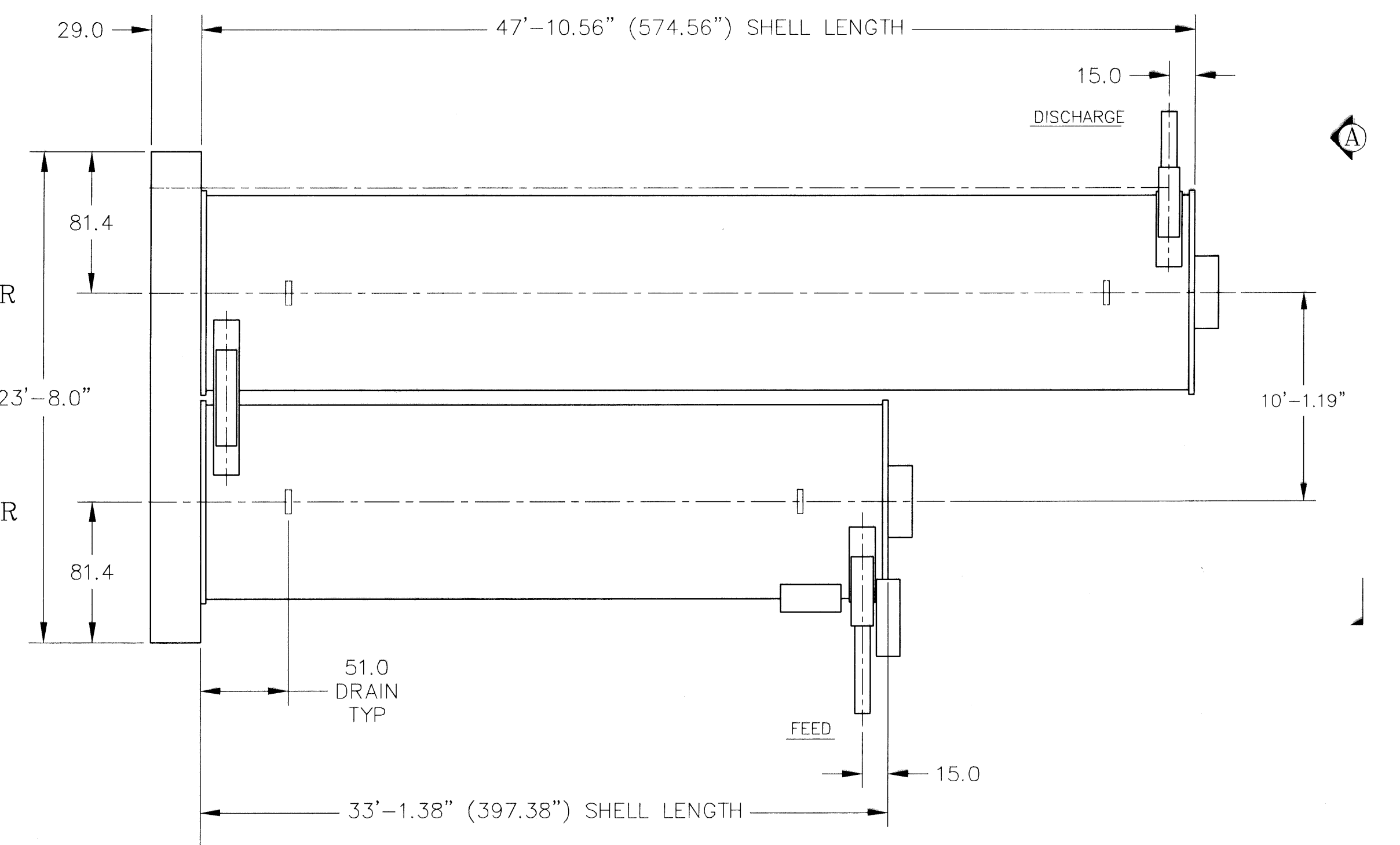


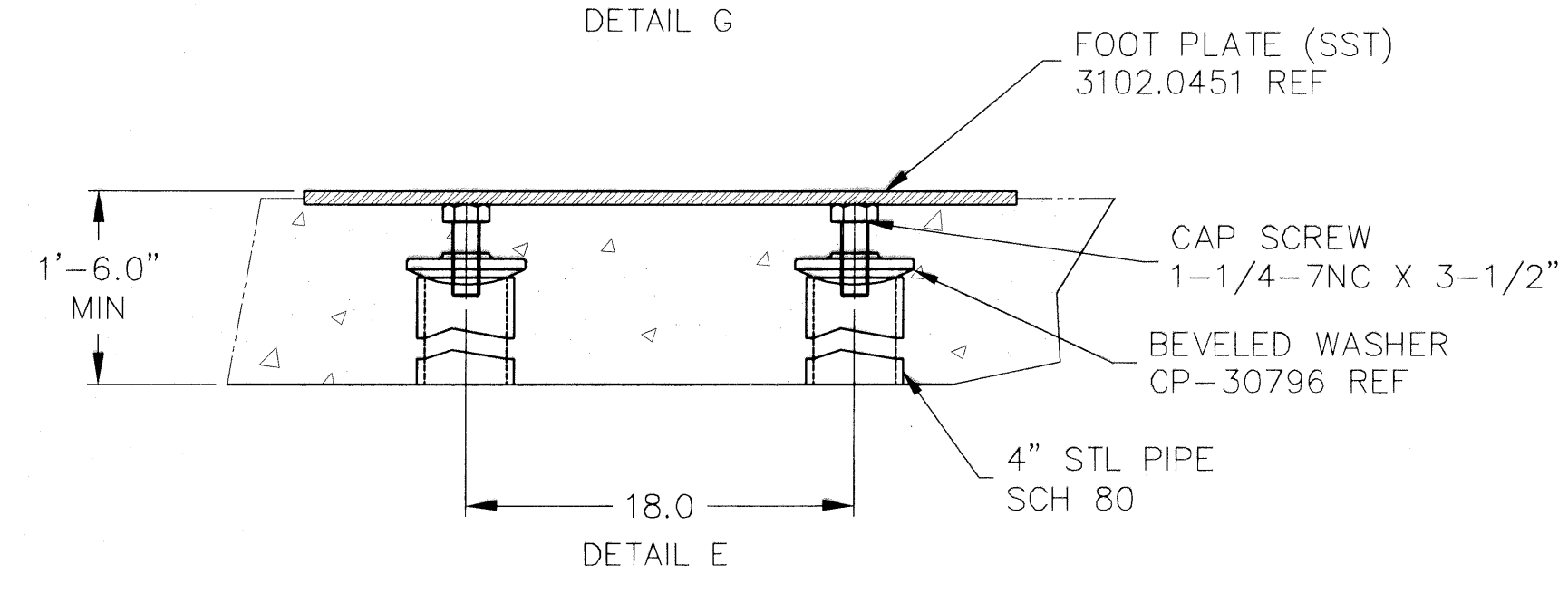
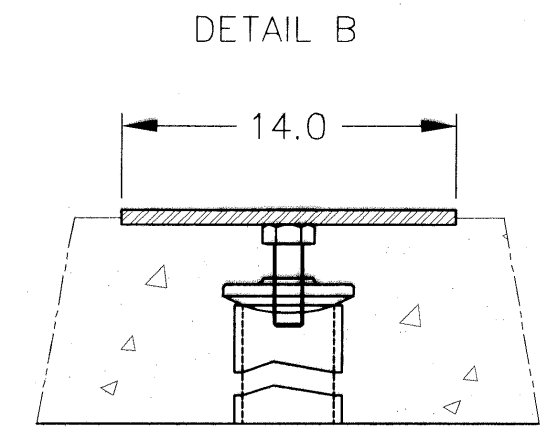
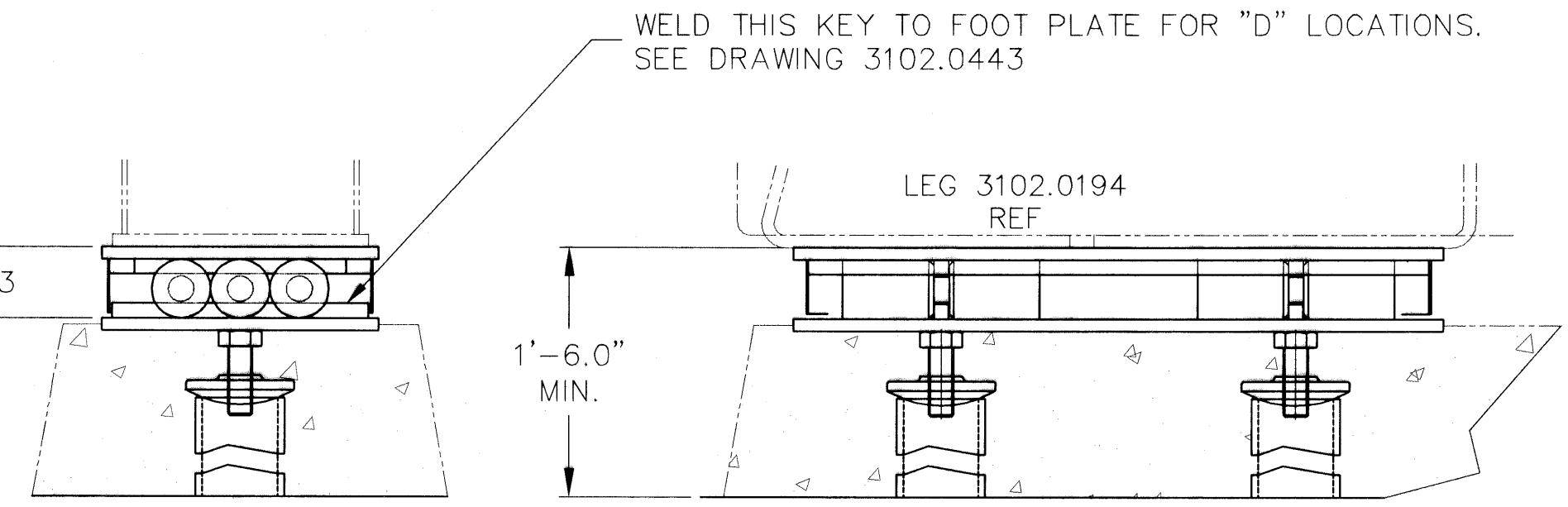
VIEW "A"
 ROTATED 90° CW
 LADDER SHOWN FOR HEIGHT DETERMINATION ONLY. ACTUAL LADDER LOCATION TO BE DETERMINED BY CUSTOMER. ONE (1) LADDER PROVIDED.

STD. 112" PRESSURE COOLER
 (CAPY. 9964) (S/N 3694-02-02)

REV. 112" PRESSURE COOLER
 (CAPY. 6674) (S/N 3694-01-02)

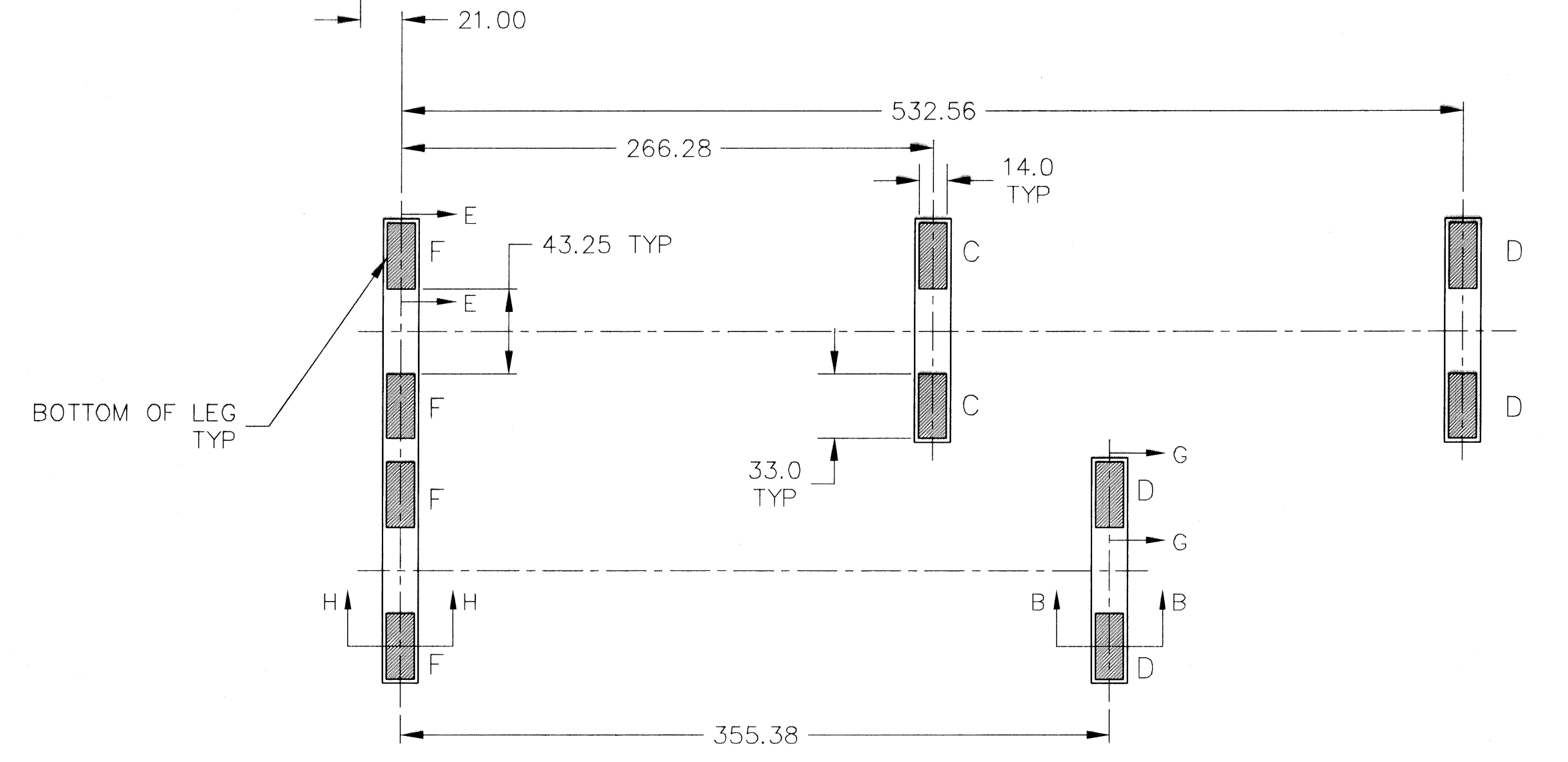


FLOOR PLAN



DETAIL H

DETAIL E



FOUNDATION PLAN

| UTILITY SUPPLY REQUIREMENTS | | |
|-----------------------------|-------------|----------------|
| STEAM | 90-120 PSIG | 4,000.0 LBS/HR |
| COOLING WATER | 40-80 PSIG | 52.0 GPM |
| COMPRESSED AIR | 60-120 PSIG | 32.0 SCFM |

BASED ON THE FOLLOWING: 252°F COOK, 80°F IT, 220 CPM, 1.0 SPECIFIC HEAT, 1.0 LB PRODUCT WT, 95°F CAN TEMP OUT OF CLR, 55°F WATER IN, 160°F WATER OUT

- NOTES:**
- FOUNDATION JACKS ARE USED TO LEVEL SHELLS PRIOR TO POURING CONCRETE AND ARE LEFT IN PLACE AFTER CONCRETE IS POURED.
 (2) JACK ASSEMBLIES PER LEG (FOOT PLATE) FURNISHED BY FMC FOODTECH.
 - WHEN INSTALLING USE EXPANSION ROLLERS UNDER LEGS.
 LOCATIONS "C" USE EXPANSION ROLLER ASSEMBLY 3102.0433.
 LOCATIONS "D" USE EXPANSION ROLLER ASSEMBLY (GUIDED) 3102.0443.
 LOCATIONS "F" (FIXED) DO NOT USE EXPANSION ROLLER ASSEMBLY
 FOUNDATION PIER HEIGHT TO BE 3-5/8" LOWER WHERE ROLLER ASSEMBLIES ARE USED.

APPROXIMATE MACHINE WEIGHTS

| 112"Ø ROTARY VESSEL | NET WEIGHT | MAX. WEIGHT * |
|----------------------|------------|---------------|
| STD. PRESSURE COOKER | 65,000 LBS | 200,000 LBS |
| REV. PRESSURE COOLER | 85,000 LBS | 297,000 LBS |

* = FULL OF WATER

DAINTY FOODS - WINDSOR, ONTARIO

LINE TO RUN 300 X 407 AT 220 CPM

| | | | |
|---|--|---|--|
| | UNLESS OTHERWISE SPECIFIED DIMENSIONS ARE IN INCHES BREAK SHARP CORNERS TOLERANCES ARE NOT CUMULATIVE | DWN BY J.V.I.A.L. DATE 072602 | FMC FoodTech <small>FMC Technologies, Inc. Food Processing Systems Modesto, California 95369</small> |
| | TOLERANCES XX.X = ±.060 SURFACE ROUGHNESS = XX.XX = ±.030 XX.XXX = ±.010 PROTECTIVE FINISH = ANGLES = ±.5° | APPD SCALE 1/64 MATERIAL NONE | |
| This drawing and all information contained hereon is the property of FMC Technologies, Inc. It shall not, wholly or in part, be copied, reproduced or used by others without express written permission from FMC Technologies, Inc. | UPDATED SHELL WEIGHTS TS 012203 CHANGED GEAR GUARD TO ACTUAL, ADDED LADDERS TS 100302 ADDED SHEET 2, DEFLECTION BRACKET TS 092002 ADDED FOUNDATION DETAILS TS 090202 ECO REVISIONS BY DATE | NEXT ASSY 3400.1547 | SO# E01979 EST WT |